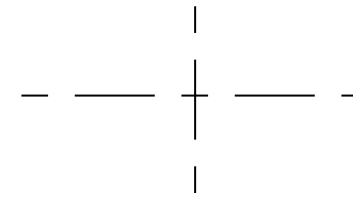
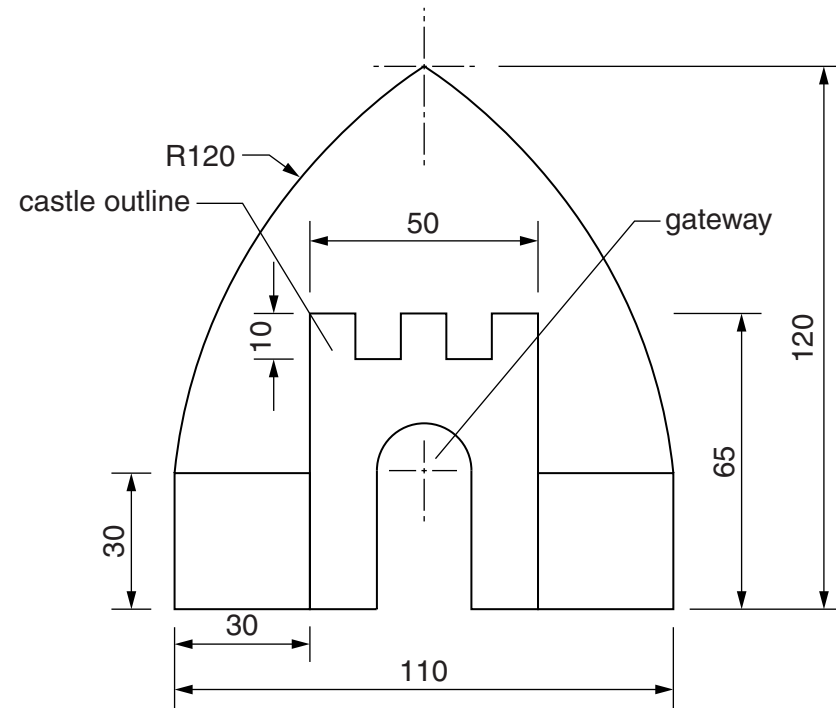


Section A

Answer **all** questions in this section.

An indoor play area for young children is called 'THE CASTLE'. Its logo is made up from geometrical shapes as shown below.

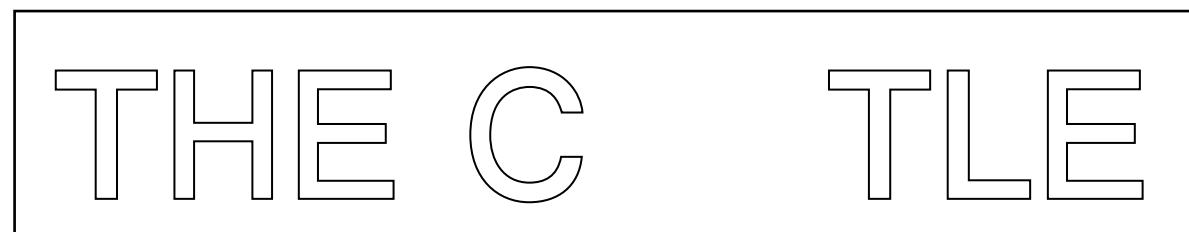


A1 Complete the full size drawing of the logo on the right by drawing:



- (a) the castle outline; [4]
- (b) the gateway with a semi-circular top Ø20; [2]
- (c) the two side walls 30 square; [2]
- (d) the two R120 arcs completing the logo. [3]

A2 Complete the signboard for THE CASTLE by adding the **two** missing letters. Both letters must be to the same height and style as those given. [4]

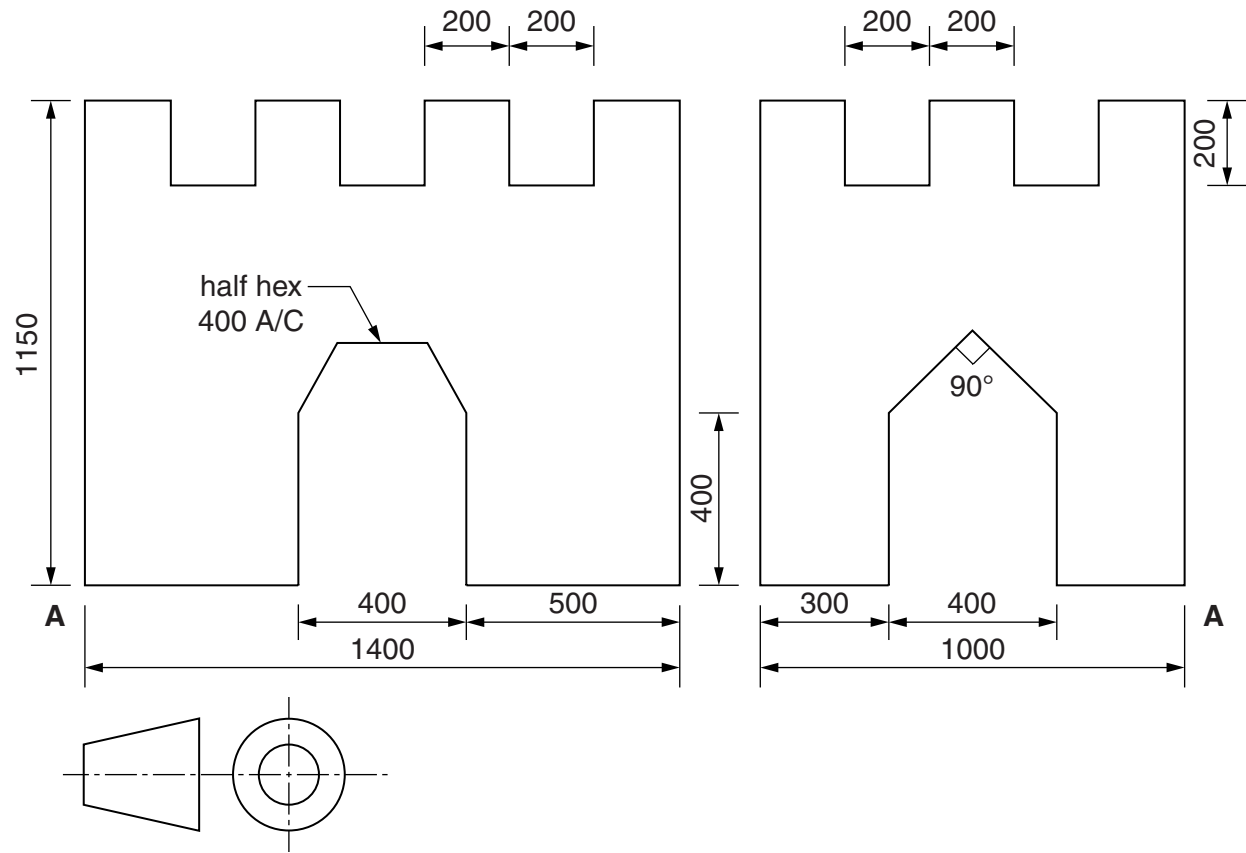


For
Examiner's
use

0445/22 May/June 2014 **1 hour**
© UCLES 2014 DC (CW/CGW) 93828

Centre Number Candidate's Number Candidate's Surname Other Names **[Turn over]**

A3 The play area has castles made from card. Orthographic views of one of the castles are shown below.



Draw, in the space provided below, an estimated two-point perspective view of the play castle to a scale of 1:10.

Ignore the thickness of the card.

Corner **A** and the two vanishing points have been given.

[10]

