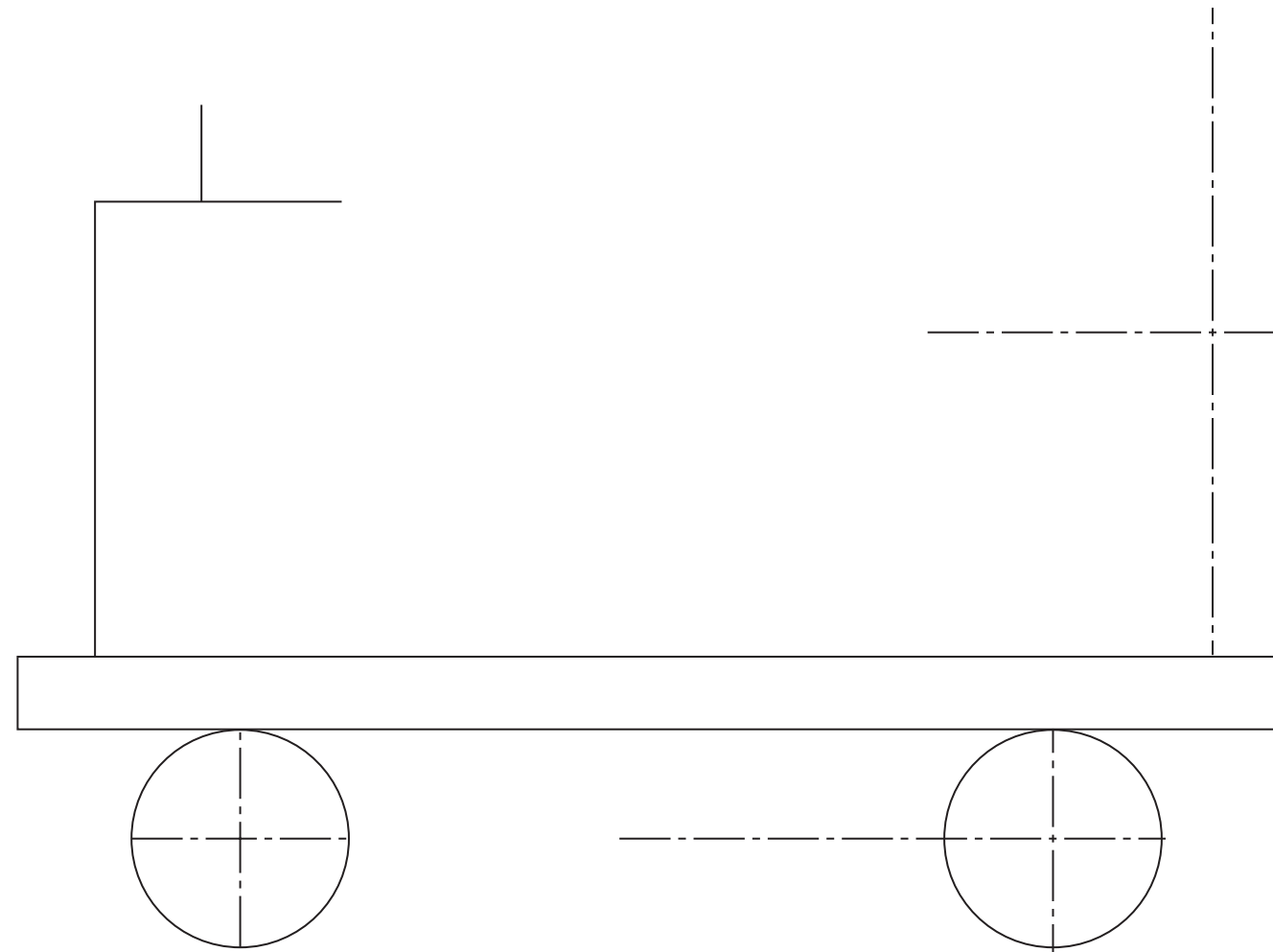
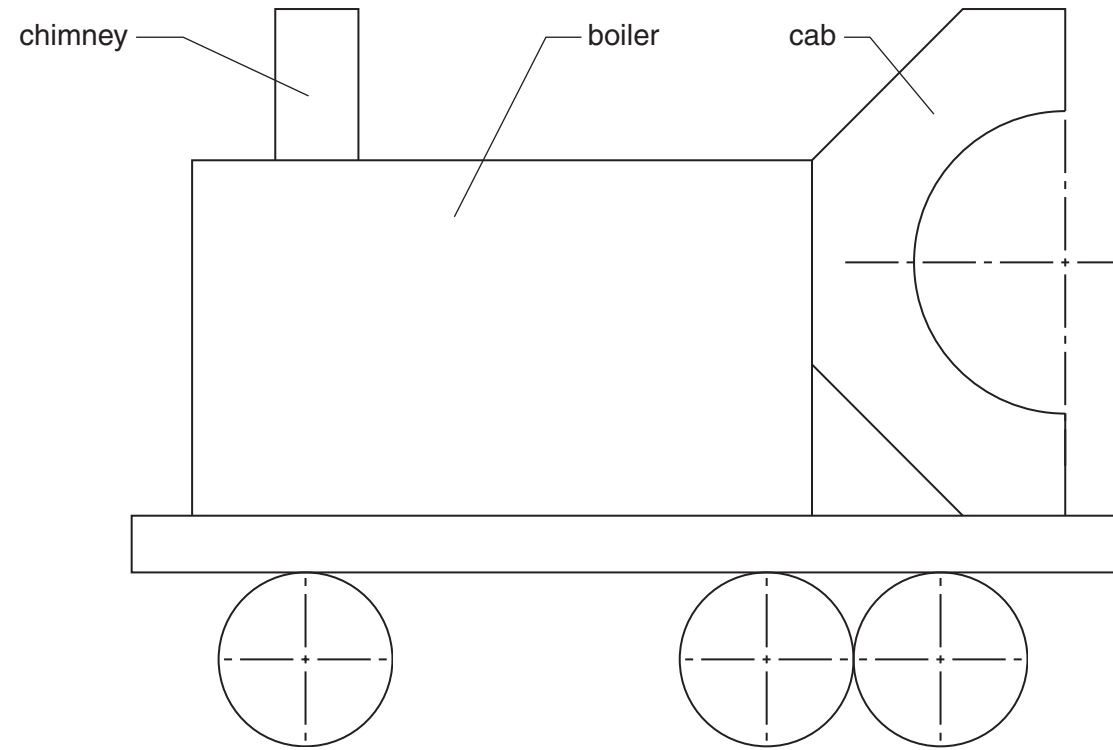


**Section A**

Answer **all** questions in this section.

A toy shop is called 'THE LITTLE TRAIN'.  
Its logo is made up from regular shapes as shown below.



**A1** Complete the full size drawing of the logo on the right by drawing:

- (a) a half octagon 90 A/F for the cab outline; [4]
- (b) a Ø50 semi-circle and complete the cab outline; [1]
- (c) the remaining part of the boiler; [2]
- (d) the chimney 15 wide to the same height as the cab; [2]
- (e) the missing Ø30 wheel. [2]

**A2** Complete the signboard for THE LITTLE TRAIN by adding the **two** missing letters.  
Both letters must be to the same height and style as those given. [4]

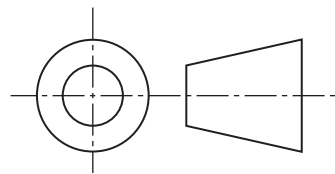
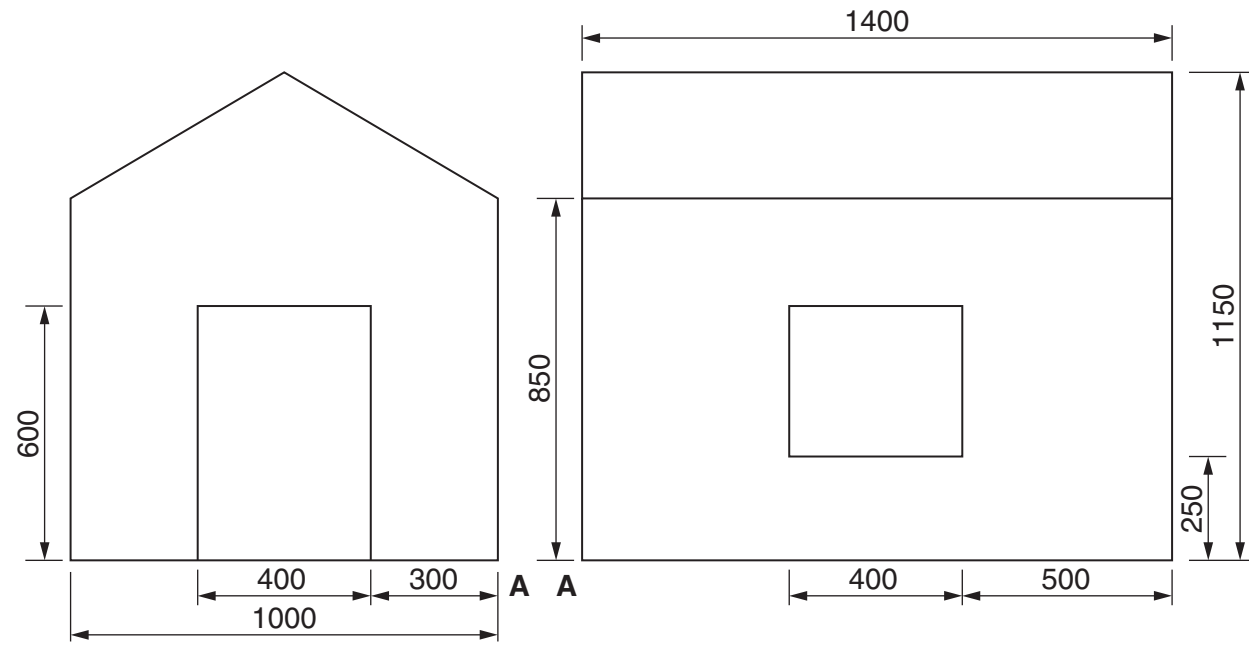


For Examiner's use

**0445/23** May/June 2014 **1 hour**  
© UCLES 2014 DC (SJF/CGW) 79887/1

Centre Number ..... Candidate's Number ..... Candidate's Surname ..... Other Names ..... **[Turn over]**

**A3** The toy shop sells play houses made from card.  
Orthographic views of one of the play houses are shown below.



Draw, in the space provided below, an estimated two-point perspective view of the play house to a scale of 1:10.

Ignore the thickness of the card.

Corner **A** and the two vanishing points have been given.

[10]

