



Cambridge International Examinations
Cambridge International General Certificate of Secondary Education

CANDIDATE
NAME

CENTRE
NUMBER

| | | | | |
|--|--|--|--|--|
| | | | | |
|--|--|--|--|--|

CANDIDATE
NUMBER

| | | | |
|--|--|--|--|
| | | | |
|--|--|--|--|



PHYSICS

0625/52

Paper 5 Practical Test

February/March 2018

1 hour 15 minutes

Candidates answer on the Question Paper.

Additional Materials: As listed in the Confidential Instructions.

READ THESE INSTRUCTIONS FIRST

Write your Centre number, candidate number and name in the spaces at the top of the page.

Write in dark blue or black pen.

You may use an HB pencil for any diagrams or graphs.

Do not use staples, paper clips, glue or correction fluid.

DO NOT WRITE IN ANY BARCODES.

Answer **all** questions.

You are advised to spend about 20 minutes on each of questions 1 to 3, and about 15 minutes on question 4.

Electronic calculators may be used.

You may lose marks if you do not show your working or if you do not use appropriate units.

At the end of the examination, fasten all your work securely together.

The number of marks is given in brackets [] at the end of each question or part question.

| For Examiner's Use | |
|--------------------|--|
| 1 | |
| 2 | |
| 3 | |
| 4 | |
| Total | |

This syllabus is approved for use in England, Wales and Northern Ireland as a Cambridge International Level 1/Level 2 Certificate.

This document consists of **12** printed pages.

- 1 In this experiment, you will determine the mass of a metre rule by a balancing method.

Carry out the following instructions, referring to Fig. 1.1.

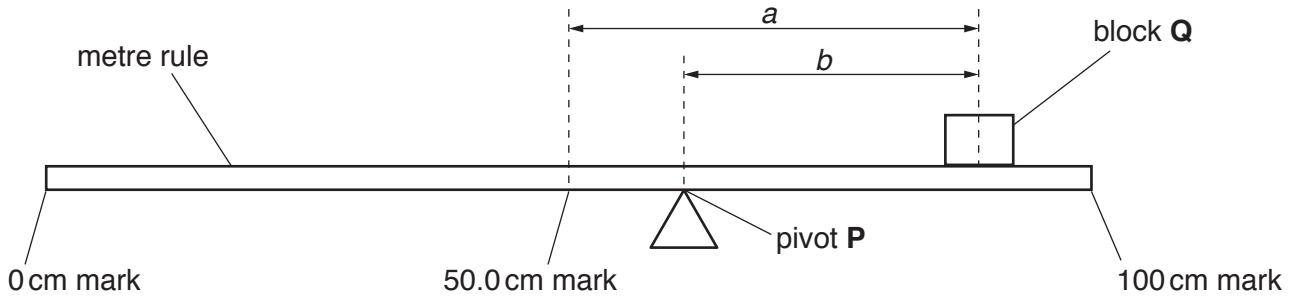


Fig. 1.1

- (a) Place the metre rule on the pivot. Place block Q on the metre rule with its centre at the 95.0 cm mark. Keep Q at the 95.0 cm mark and adjust the position of the metre rule on the pivot until the metre rule is as near to being balanced as possible.

The distance a between the centre of Q and the 50.0 cm mark has been recorded in Table 1.1.

In the table, record the position of the pivot P.

Calculate the distance b between the centre of Q and the pivot P, using the formula

$$b = (\text{position of Q} - \text{position of P}).$$

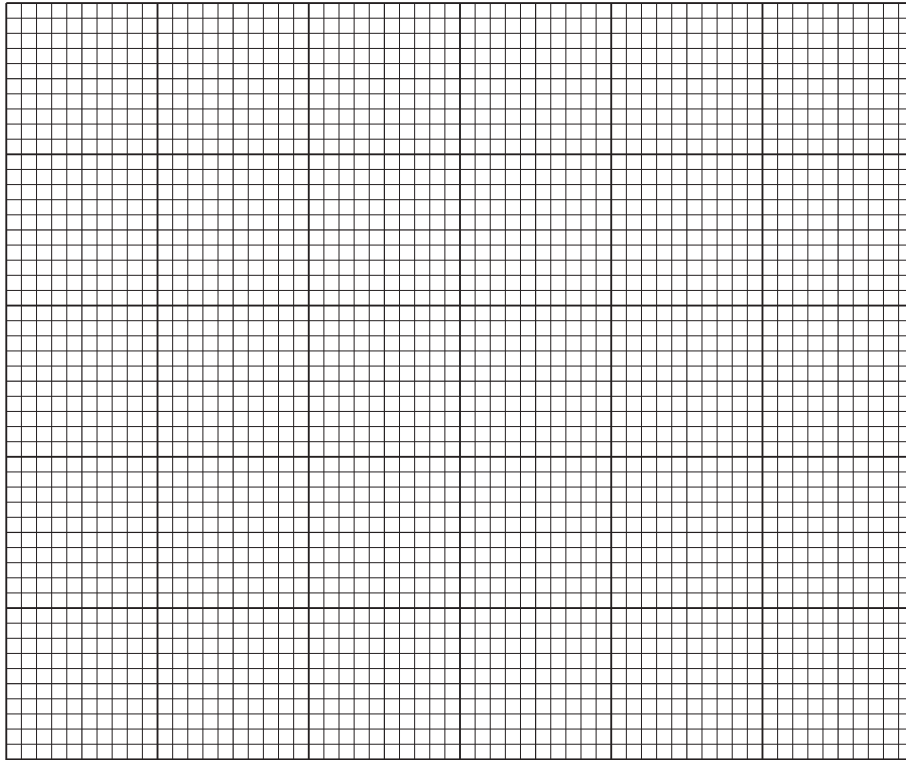
Repeat the procedure for positions of Q at the 90.0 cm, 85.0 cm, 80.0 cm and 75.0 cm marks. Record your values for the position of P and your values for b in the table.

Table 1.1

| position of Q /cm | a /cm | position of P /cm | b /cm |
|-------------------|---------|-------------------|---------|
| 95.0 | 45.0 | | |
| 90.0 | 40.0 | | |
| 85.0 | 35.0 | | |
| 80.0 | 30.0 | | |
| 75.0 | 25.0 | | |

[2]

- (b) Plot a graph of a/cm (y -axis) against b/cm (x -axis). You do not need to start your axes at the origin (0,0).



[4]

- (c) (i) Determine the gradient G of the graph. Show clearly on the graph how you obtained the necessary information.

$$G = \dots\dots\dots [1]$$

- (ii) Calculate the mass M_R of the metre rule using the equation $M_R = \frac{M}{(G-1)}$,

where $M = 20\text{g}$. Record the value for M_R to a suitable number of significant figures for this experiment.

$$M_R = \dots\dots\dots [2]$$

- (d) Describe why it is difficult to place the block **Q** at the correct mark on the metre rule each time. Explain how you overcame this difficulty. You may draw a diagram to help your explanation.

.....

.....

..... [1]

- (e) Two students carry out the experiment correctly but with different values for the mass of block **Q**. One student obtains values of b that are larger than those obtained by the other student.

State and explain whether the larger values of b are likely to produce a more accurate value for the mass of the metre rule.

.....

.....

..... [1]

[Total: 11]

2 In this experiment, you will investigate a circuit containing different lamps.

The circuit has been set up for you.

Carry out the following instructions, referring to Fig. 2.1.

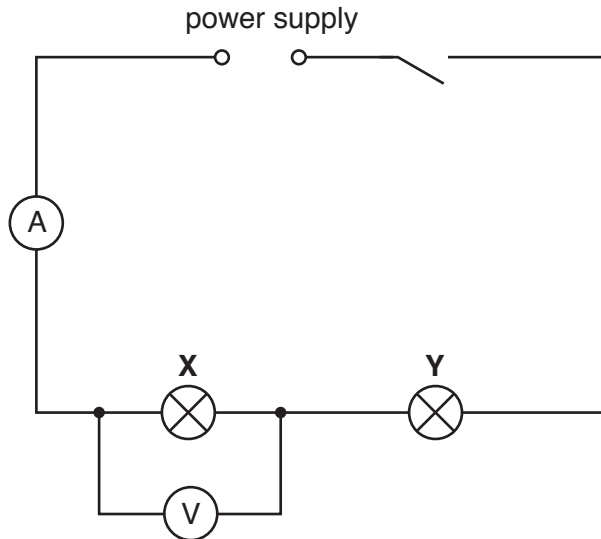


Fig. 2.1

(a) (i) Switch on. Record the current I_S in the circuit.

$$I_S = \dots\dots\dots [1]$$

(ii) Record the potential difference (p.d.) V_X across lamp **X**.

$$V_X = \dots\dots\dots$$

Disconnect the voltmeter.

Connect the voltmeter to measure the p.d. V_Y across lamp **Y**.

Record V_Y .

$$V_Y = \dots\dots\dots [1]$$

(iii) Disconnect the voltmeter.

Connect the voltmeter to measure the p.d. V_S across both lamps **X** and **Y** connected in series.

Record V_S .

$$V_S = \dots\dots\dots [1]$$

Switch off.

- (iv) A student suggests that V_S should be equal to $(V_X + V_Y)$.

State whether your readings support this suggestion. Justify your statement with reference to your results.

statement

justification

.....

.....

[2]

- (b) Calculate the resistance R_1 of lamp **X**. Use your readings from **(a)(i)** and **(a)(ii)** and the equation $R_1 = \frac{V_X}{I_S}$. Record your answer to a suitable number of significant figures for your experiment.

$R_1 = \dots\dots\dots$ [2]

- (c) The circuit components are to be rearranged so that

- lamps **X** and **Y** are connected in parallel
- the ammeter measures the current in lamp **X** only
- the voltmeter measures the p.d. across the lamps.

Draw a circuit diagram of this arrangement.

[2]

- (d) (i) Set up the circuit as described in (c).

Switch on. Measure and record the current I_P in lamp **X** and the p.d. V_P across the lamps.

$$I_P = \dots\dots\dots$$

$$V_P = \dots\dots\dots [1]$$

Switch off.

- (ii) Calculate the new resistance R_2 of lamp **X**. Use your readings from (d)(i) and the equation $R_2 = \frac{V_P}{I_P}$.

$$R_2 = \dots\dots\dots [1]$$

[Total: 11]

- 3 In this experiment, you will investigate how the volume of water affects the rate at which water in a beaker cools.

Carry out the following instructions, referring to Fig. 3.1.

The thermometer must remain in the clamp throughout the experiment.

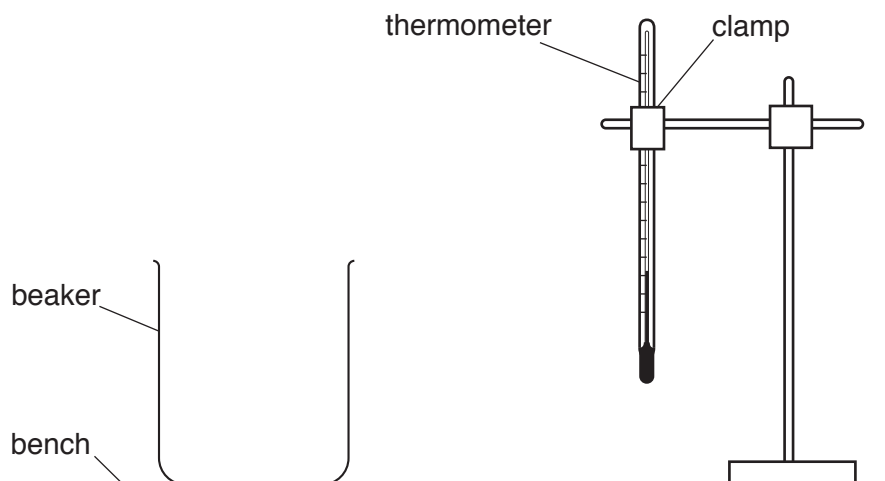


Fig. 3.1

- (a) Pour 200 cm^3 of hot water into the beaker.
Place the thermometer in the water.

In the first row of Table 3.1, record the maximum temperature θ of the water and immediately start the stopclock.

Record, in the table, the temperature θ of the water at times $t = 30\text{ s}$, 60 s , 90 s , 120 s , 150 s and 180 s .

Remove the thermometer from the beaker and empty the beaker. [1]

- (b) (i) Repeat (a), using 100 cm^3 of hot water in the beaker. [1]
(ii) Complete the headings and the time column in the table. [2]

Table 3.1

| | beaker with 200 cm ³ of hot water | beaker with 100 cm ³ of hot water |
|------------|---|---|
| <i>t</i> / | <i>θ</i> / | <i>θ</i> / |
| 0 | | |
| | | |
| | | |
| | | |
| | | |
| | | |
| | | |

(c) Write a conclusion stating how the volume of water in the beaker affects the rate of cooling of the water. Justify your answer by reference to your results.

.....

.....

.....

.....

..... [2]

(d) (i) Using your results for 100 cm³ of water, calculate the average rate of cooling x_1 for the **first** 90 s of the experiment. Use your readings from the table and the equation

$$x_1 = \frac{\theta_0 - \theta_{90}}{t},$$

where $t = 90$ s and θ_0 and θ_{90} are the temperatures at 0 s and 90 s. Include the unit for the rate of cooling.

$x_1 = \dots\dots\dots$ [1]

(ii) Using your results for 100 cm³ of water, calculate the average rate of cooling x_2 in the **last** 90 s of the experiment. Use your readings from the table and the equation

$$x_2 = \frac{\theta_{90} - \theta_{180}}{t},$$

where $t = 90$ s and θ_{90} and θ_{180} are the temperatures at 90 s and 180 s. Include the unit for the rate of cooling.

$x_2 = \dots\dots\dots$ [1]

- (e) A student suggests that it is important that the experiments with the two volumes of water should have the same starting temperatures.

State whether your values for x_1 and x_2 support this suggestion. Justify your statement with reference to your results.

statement

justification

.....

.....

[1]

- (f) Another student wants to investigate whether more thermal energy is lost from the water surface than from the sides of the beakers.

Describe an experiment that could be done to investigate this.

You are **not** required to carry out the experiment.

You may draw a diagram to help your description.

.....

.....

.....

[2]

[Total: 11]

- 4 A student is investigating the factors that affect the size of the crater (hole) a ball makes when it is dropped into sand.

Plan an experiment which would enable you to investigate one factor which might affect the size of the crater. You are **not** required to carry out the experiment.

The apparatus available includes:

metal balls of different sizes
a tray of sand.

Write a plan for the experiment.

In your plan, you should:

- state which factor is being investigated,
- state the key variables that you would control,
- list any additional apparatus needed,
- explain briefly how you would carry out the experiment including what would be measured and how this would be done,
- state the precautions which should be taken to obtain reliable results,
- suggest a suitable graph which could be drawn from the results.

You may draw a diagram if it helps to explain your plan.

.....
.....

..... [7]

[Total: 7]

Permission to reproduce items where third-party owned material protected by copyright is included has been sought and cleared where possible. Every reasonable effort has been made by the publisher (UCLES) to trace copyright holders, but if any items requiring clearance have unwittingly been included, the publisher will be pleased to make amends at the earliest possible opportunity.

To avoid the issue of disclosure of answer-related information to candidates, all copyright acknowledgements are reproduced online in the Cambridge International Examinations Copyright Acknowledgements Booklet. This is produced for each series of examinations and is freely available to download at www.cie.org.uk after the live examination series.

Cambridge International Examinations is part of the Cambridge Assessment Group. Cambridge Assessment is the brand name of University of Cambridge Local Examinations Syndicate (UCLES), which is itself a department of the University of Cambridge.