



Cambridge International Examinations
Cambridge International General Certificate of Secondary Education

CANDIDATE
NAME

--

CENTRE
NUMBER

--	--	--	--	--

CANDIDATE
NUMBER

--	--	--	--



PHYSICS

0625/62

Paper 6 Alternative to Practical

October/November 2014

1 hour

Candidates answer on the Question Paper.

No Additional Materials are required.

READ THESE INSTRUCTIONS FIRST

Write your Centre number, candidate number and name on all the work you hand in.

Write in dark blue or black pen.

You may use an HB pencil for any diagrams or graphs.

Do not use staples, paper clips, glue or correction fluid.

DO NOT WRITE IN ANY BARCODES.

Answer **all** questions.

Electronic calculators may be used.

You may lose marks if you do not show your working or if you do not use appropriate units.

At the end of the examination, fasten all your work securely together.

The number of marks is given in brackets [] at the end of each question or part question.

The syllabus is approved for use in England, Wales and Northern Ireland as a Cambridge International Level 1/Level 2 Certificate.

This document consists of **15** printed pages and **1** blank page.

- 1 An IGCSE student is taking measurements of a sample of modelling clay. She has moulded the sample of modelling clay into a cube, as shown in Fig. 1.1.

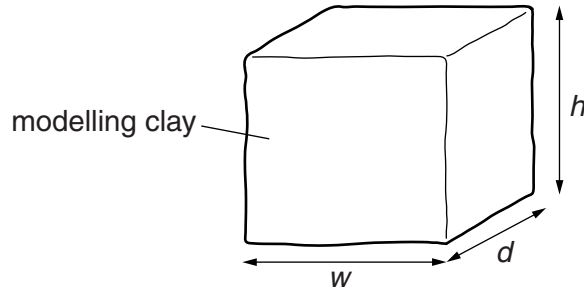


Fig. 1.1

- (a) (i) On Fig. 1.2, measure the height h and width w of the piece of modelling clay.

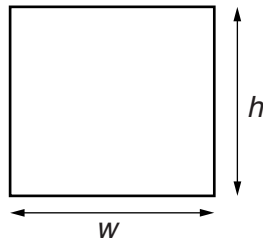


Fig. 1.2

$h = \dots\dots\dots$ cm

$w = \dots\dots\dots$ cm

- (ii) On Fig. 1.3, measure the depth d of the piece of modelling clay.

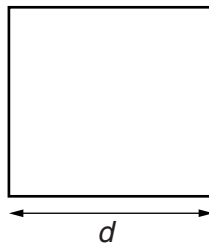


Fig. 1.3

$d = \dots\dots\dots$ cm

- (iii) Calculate the volume V_A of the modelling clay using the equation $V_A = hwd$.

$V_A = \dots\dots\dots$ cm³

(iv) The mass m of the piece of modelling clay is shown in Fig. 1.4.

Calculate the density ρ of the modelling clay using the equation $\rho = \frac{m}{V_A}$.

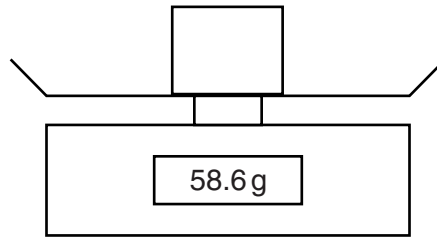


Fig. 1.4

$\rho = \dots\dots\dots$ [3]

(b) The student moulds the piece of modelling clay into a spherical shape.

Draw a diagram to show how you would use two rectangular blocks of wood and a rule to measure the diameter of the sphere of modelling clay.

[1]

(c) The student pours water into a measuring cylinder, as shown in Fig. 1.5.

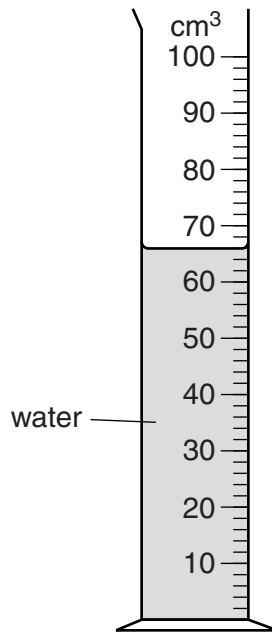


Fig. 1.5

(i) Record the volume V_1 of water shown in Fig. 1.5.

$V_1 = \dots\dots\dots$ [1]

(ii) On Fig. 1.5, show clearly the line of sight required to take the reading of V_1 . [1]

(d) The student uses a piece of string to lower the sample of modelling clay into the measuring cylinder until it is completely covered with water. The new volume reading V_2 is 84 cm^3 .

Calculate the volume V_B of the modelling clay using the equation $V_B = (V_2 - V_1)$.

$V_B = \dots\dots\dots$ [1]

(e) The student suggests that the volume of the modelling clay should not change when the shape is changed.

Assuming that the experiment has been carried out with care, suggest two reasons why the values V_A and V_B may not be the same.

1.

2.
 [2]

[Total: 9]

2 The IGCSE class is investigating the cooling of hot water as cold water is added.

The apparatus is shown in Fig. 2.1.

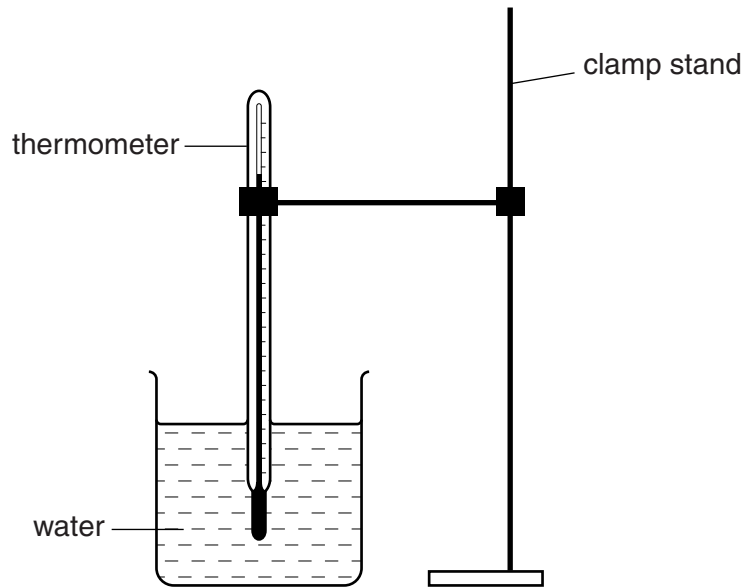


Fig. 2.1

(a) Record room temperature θ_R as shown on the thermometer in Fig. 2.2.

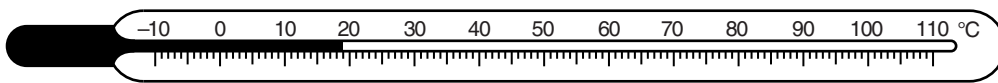


Fig. 2.2

$\theta_R = \dots\dots\dots$ [1]

- (b) A student pours approximately 150cm^3 of hot water into a beaker. She measures the temperature θ of the water in the beaker.

She adds a volume $V = 10\text{cm}^3$ of water at room temperature to the hot water in the beaker and stirs it briefly. She measures the temperature of the water in the beaker.

She adds a total of 50cm^3 of cold water, 10cm^3 at a time, stirring and measuring the temperature each time. The readings are shown in Table 2.1.

Table 2.1

$V/$	$\theta/$
0	82
	75
	69
	65
	61
	58

- (i) The total volume of cold water added is V .

In Table 2.1, complete the volume V column.

- (ii) Complete the column headings in the table.

[2]

- (c) Suggest one way you could reduce the loss of thermal energy to the surroundings during the experiment.

.....
 [1]

- (d) The student has a drinks cup, held above a measuring cylinder, as shown in Fig. 2.3. The cup has a small hole in its base.

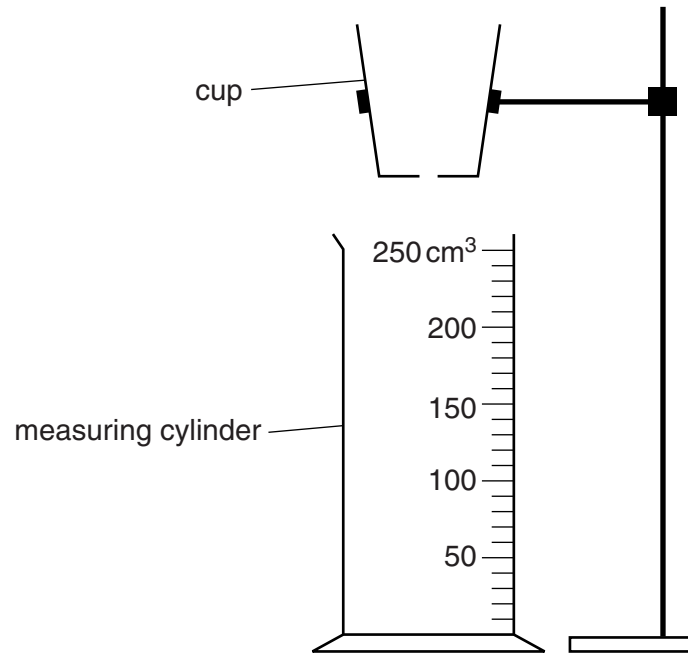


Fig. 2.3

She pours water into the cup until it is about two-thirds full. She measures the time t_1 taken for 50 cm³ of water to fall into the measuring cylinder. The stopwatch reading is shown in Fig. 2.4.



Fig. 2.4

After setting the stopwatch to zero, she measures the time t_2 taken for the next 50 cm³ of water to fall into the measuring cylinder. The stopwatch reading is shown in Fig. 2.5.



Fig. 2.5

- (i) Calculate the average rate of flow of water R_1 for the first 50 cm^3 , using the equation

$$R_1 = \frac{k}{t_1}, \text{ where } k = 50\text{ cm}^3.$$

$$R_1 = \dots\dots\dots$$

- (ii) Calculate the average rate of flow of water R_2 for the next 50 cm^3 , using the equation

$$R_2 = \frac{k}{t_2}, \text{ where } k = 50\text{ cm}^3.$$

$$R_2 = \dots\dots\dots$$

[2]

- (e) A student suggests that the experiment described in part (b) would be improved by having a steady flow of cold water added to the hot water.

Suggest one possible disadvantage of using the method described in part (d) to produce such a flow of water.

.....

.....

[1]

- (f) The experiment described in part (b) could be repeated to check the results.

Suggest two conditions that should be kept constant in order to provide a reliable check.

1.

2.

[2]

[Total: 9]

- 3 The IGCSE class is investigating the resistance of a wire.

Fig. 3.1 shows the circuit used.

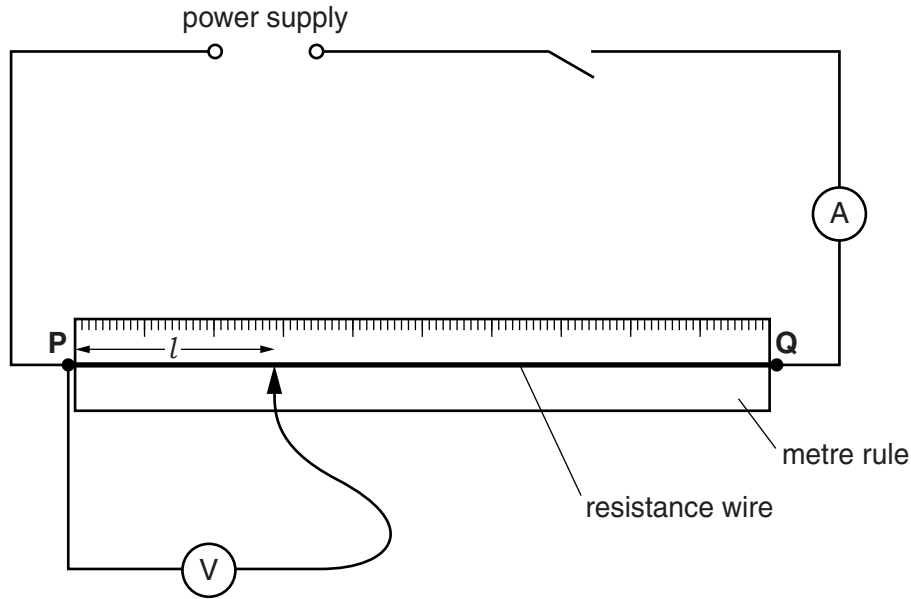


Fig. 3.1

- (a) A student measures the current I in the circuit and the p.d. V across a length $l = 0.250\text{ m}$ of the wire PQ.

He repeats the readings using a range of different lengths of the wire. The readings are shown in Table 3.1.

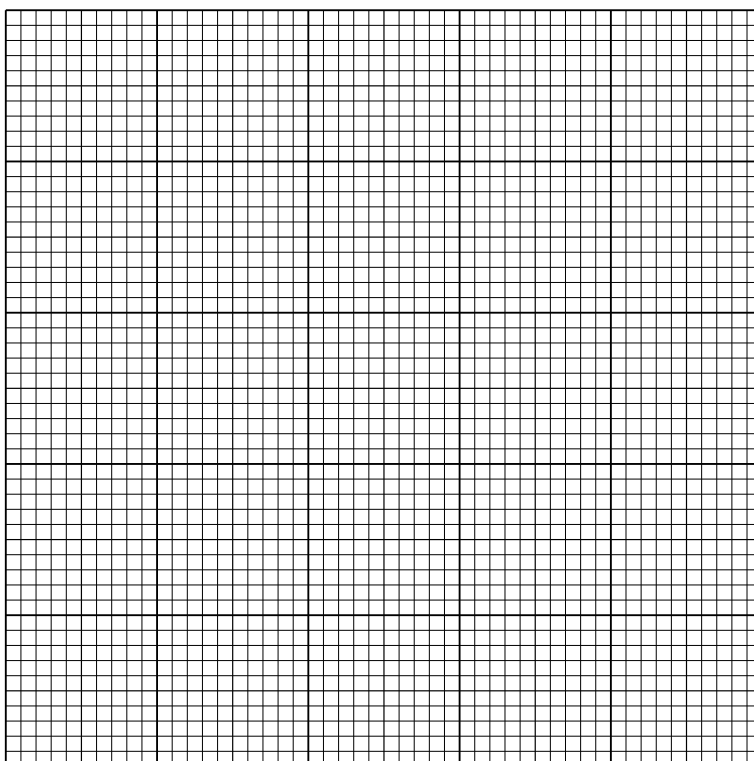
Table 3.1

$l/$	$V/$	$I/$	$R/$
0.250	0.50	0.33	
0.350	0.69	0.36	
0.450	0.90	0.32	
0.550	1.11	0.34	
0.650	1.32	0.35	
0.750	1.50	0.33	

- (i) Calculate the resistance R of each length l of wire using the equation $R = \frac{V}{I}$. Record the values of R in the table.
- (ii) Complete the heading for each column of the table.

[1]

(b) Plot a graph of R/Ω (y -axis) against l/m (x -axis).



[4]

(c) Determine the gradient G of the graph. Show clearly on the graph how you obtained the necessary information.

$G = \dots\dots\dots$ [2]

(d) Predict the value of the resistance R_1 of 1.00 m of the resistance wire connected between **P** and **Q**. Give your answer to a number of significant figures that is suitable for this experiment.

$R_1 = \dots\dots\dots$ [2]

[Total: 9]

4 The IGCSE class is investigating refraction of light through a transparent block.

Fig. 4.1 shows a student's ray-trace sheet.

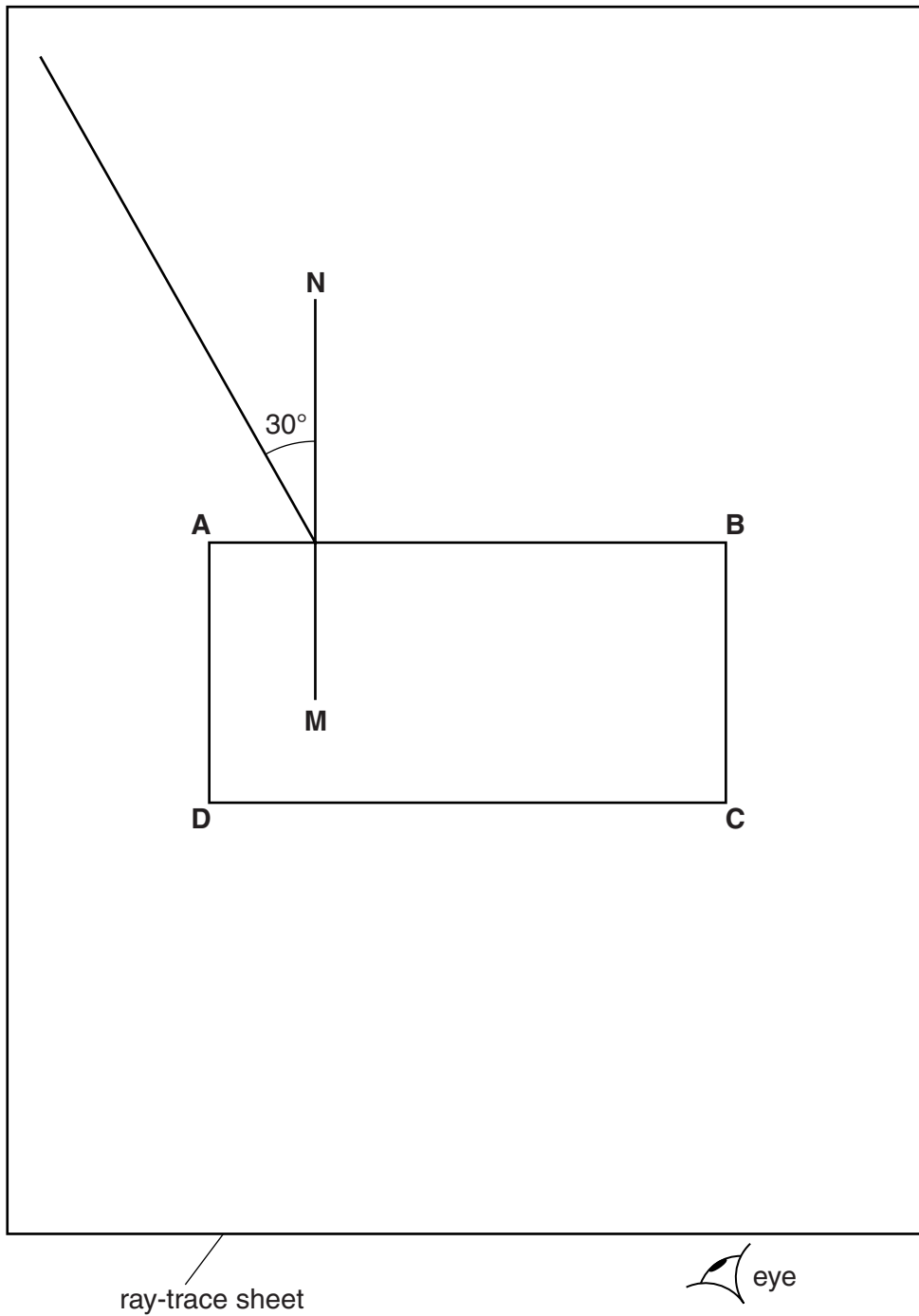


Fig. 4.1

- (a) (i) On Fig. 4.1, label the point **F** at which the incident ray crosses the normal **NM**. Label the other end of the ray **E**.
- (ii) On Fig. 4.1, draw a refracted ray from **F**, at an angle of refraction $r = 20^\circ$, to meet side **CD** of the block. Label the point **G** at which this ray meets side **CD** of the block. [1]

- (b) Predict and draw on Fig. 4.1 the line of the ray that emerges from the block at point **G**. Label the end of your line **H**. [2]

- (c) To obtain the correct positions for the emergent ray in this experiment, the student places two pins P_1 and P_2 on line **EF**. He observes the images of P_1 and P_2 through side **CD** of the block so that the images of P_1 and P_2 appear one behind the other.

He places two pins P_3 and P_4 between his eye and the block so that P_3 , P_4 and the images of P_1 and P_2 , seen through the block, appear one behind the other.

- (i) On Fig. 4.1, mark the positions of the pins P_3 and P_4 at a suitable distance apart for this experiment. [1]

- (ii) State two precautions that you should take in this experiment to obtain reliable results.

1.

.....

2.

.....

[2]

- (d) The student repeats the experiment with the block turned through 90° , as shown in Fig. 4.2. He measures the angle of refraction r .

$r = \dots\dots\dots 22^\circ \dots\dots\dots$

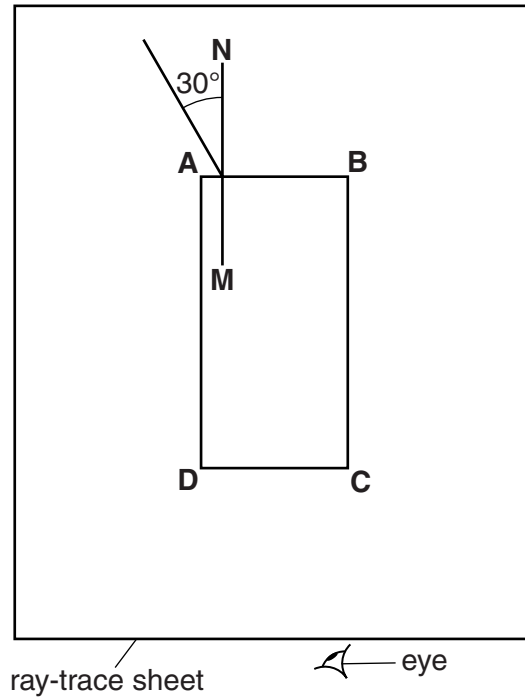


Fig. 4.2

He suggests that the value of r should be the same in both experiments because the material of the block has not changed.

State whether the results support this suggestion. Justify your answer by reference to the results.

statement

justification

.....

[1]

[Total: 7]

5 The IGCSE class is investigating the current in copper wires.

Each student has a selection of wires and a range of apparatus that could be used, listed below.

- 30 cm ruler
- ammeter
- electrical leads
- electromagnet
- electronic balance
- lamp
- metre rule
- 12 V fixed-voltage power supply
- switch
- tape measure
- variable resistor (rheostat)
- voltmeter

(a) From the list, choose the most suitable device to measure the length of approximately 20 m of copper wire.

..... [1]

(b) (i) Draw a circuit diagram to show the circuit that you would set up to measure the current in a sample of copper wire. The current is to be measured for a range of potential differences that must also be measured. Draw the symbol for a resistor to represent the sample of copper wire.

[3]

(ii) A student replaces the copper wire with a lamp. She switches on the circuit but the lamp does not glow.

Suggest how she can check that the lamp filament is not broken by using the circuit, and without removing the lamp.

.....
..... [1]

- (iii) State whether a 0 – 300V voltmeter is suitable for measuring a potential difference in the circuit you have drawn in part **(b)(i)**. Give a reason for your answer.

statement

reason

.....

.....

[1]

[Total: 6]